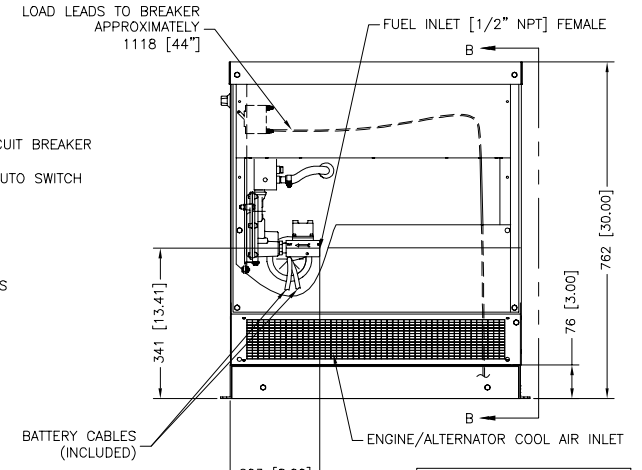
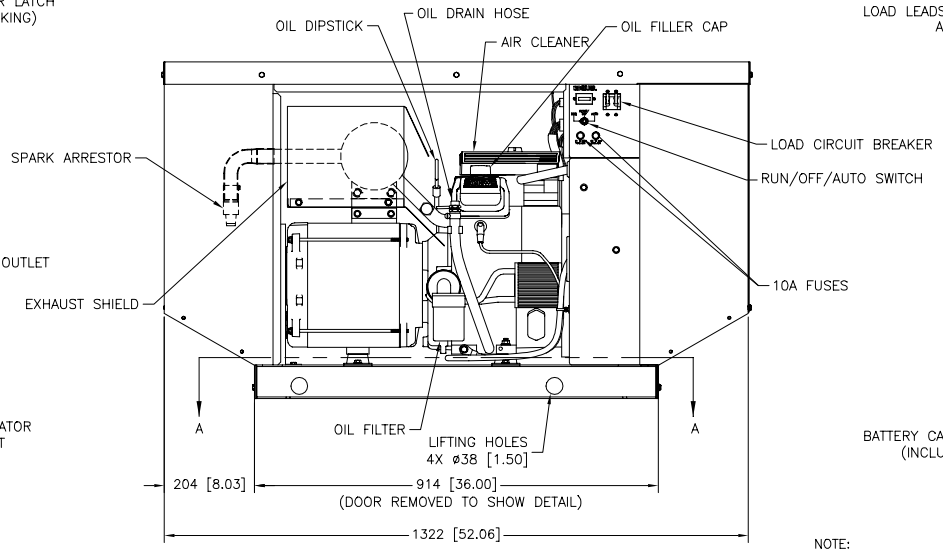
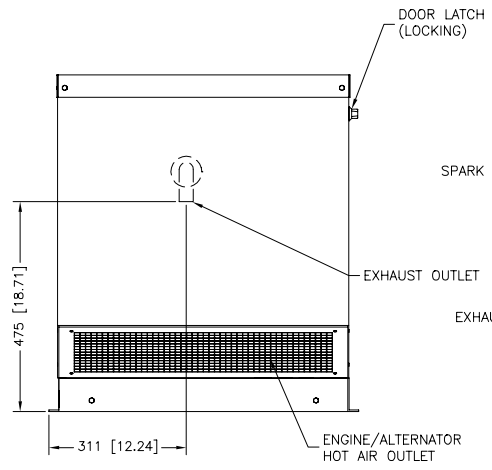
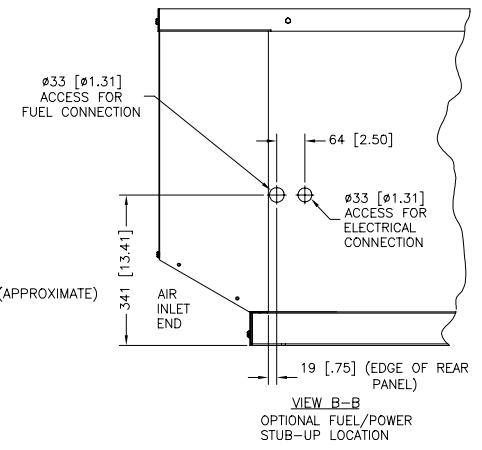
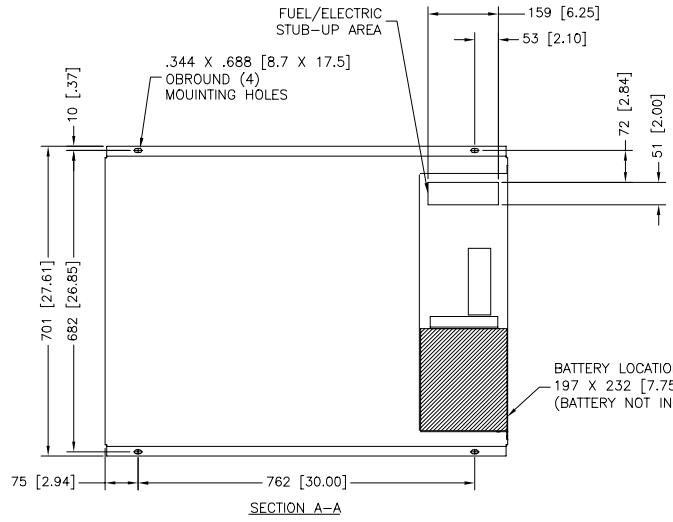


REV	DATE	REVISION	BY
-	11-9-00	NEW DRAWING [63088]	LRH



METRIC CAD FILE

NOTE:
DIMENSIONS IN [] ARE ENGLISH EQUIVALENTS
DRY WEIGHT = 182 kg [400 LBS]

UNLESS OTHERWISE SPECIFIED: 1) DIMENSIONS ARE IN MILLIMETERS 2) TOLERANCES ARE: L & T SURFACE FINISH F & S MAX. ANGLES 0		KOHLER CO. GENERATOR DIVISION, KOHLER, WI 53044, U.S.A. THIS DRAWING, SPECIFICATION AND DETAIL IS KOHLER CO. PROPERTY AND WILL BE KEPT IN CONFIDENTIALITY WITH KOHLER CO. WORK. ALL RIGHTS OF DESIGN OR INVENTION ARE RESERVED.	
TITL DIMENSION PRINT		ADV-6600	
APPROVED	DATE	DRAWN	DATE
LRH	11-5-00	LRH	11-5-00
CHECKED	DATE	SCALE	SHEET
JIS	11-22-00	2X	1-1
APPROVED	DATE	DWG NO.	REV. NO.
WA	11-22-00	ADV6600.DWG	1